

TB – KLM002

TECHNICAL BULLETIN

INFORMATION ONLY

For the Attention of : Graham Mears, Testers, Site Supervisors, Neil Horner, Peter Amura, Paul Ayers, Technical Dept, Larry Power

From: Angelos Strantzalis, Senior Product Engineer, Stannah Lifts Ltd

Date : 03 June 2014

Product : Kleemann Flexi

Subject : New Type of Guide Brackets

Pages : 2

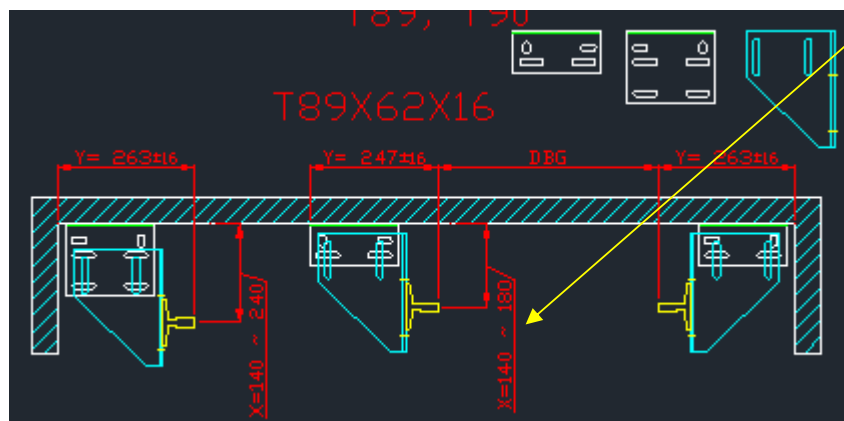
Background

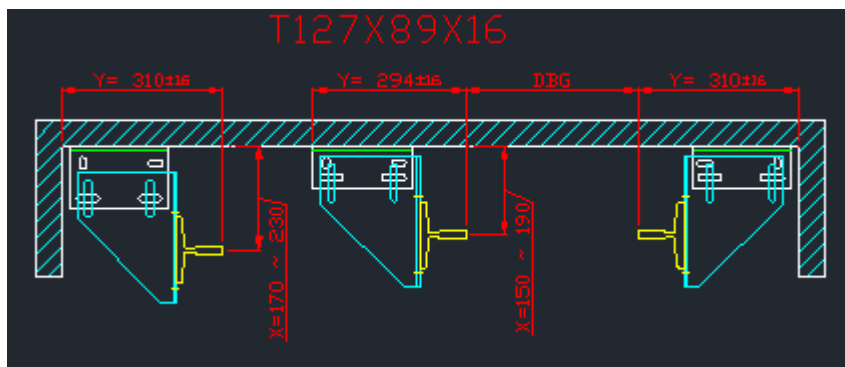
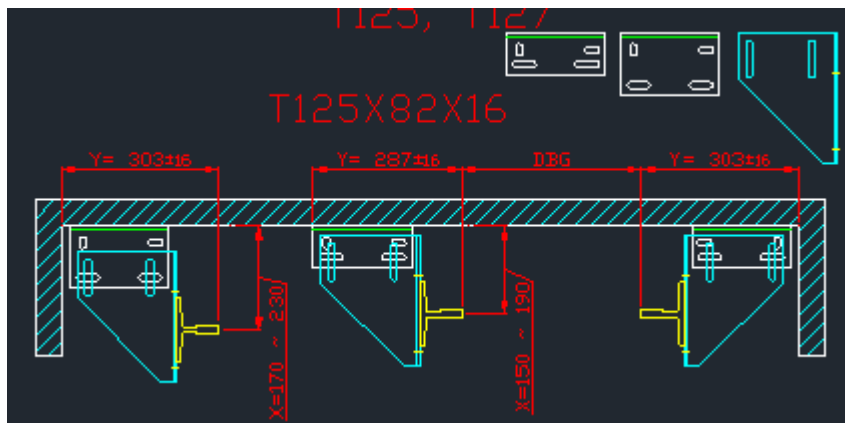
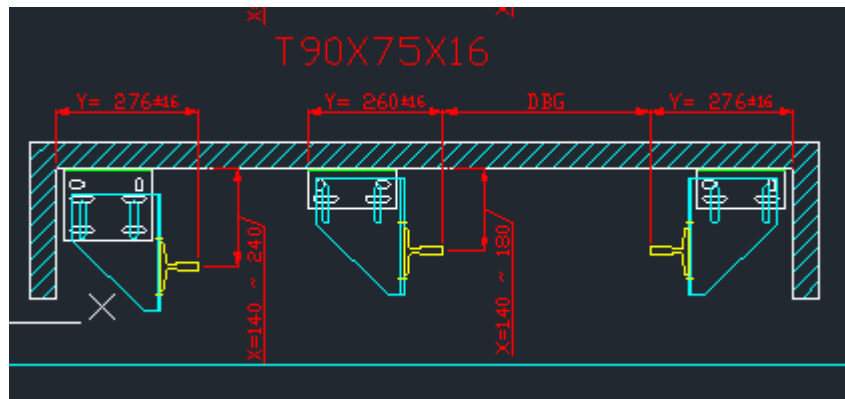
Kleemann, during their last visit to Stannah on 14 April 2014 informed us that they will provide us with a **new guide bracket** combination which adds flexibility to the installation avoiding the wide use of packers and helping further in plumping the shaft during installation.

As you will see in the following paragraphs, there are different types of bracket corresponding to the type of guide, and combinations that can give a good range of wall distance.

Bracket Types

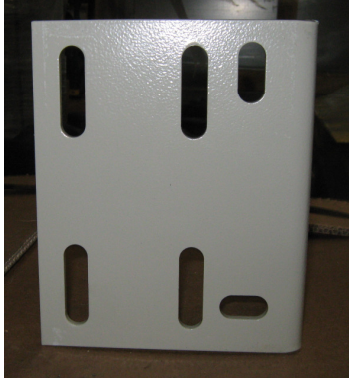
As previously mentioned, the triangular part of the bracket that secures the guide depends on the guide size. Please find below drawings for the main types of guides we use on 8 person and above, along with the corresponding wall distance range.





Bracket Photos

The part that goes on to the wall:



The triangular part that holds the guide:



Actions:

- **Site Supervisors and Testers please ensure you are aware of the new bracket type and provide me with your feedback so I can share this with Kleemann...**